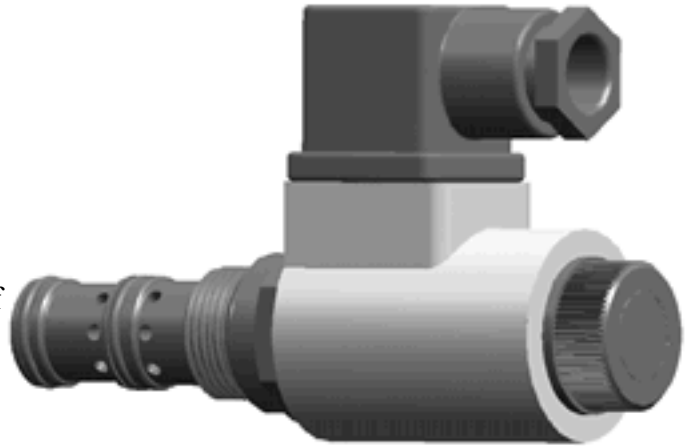


APPLICATION

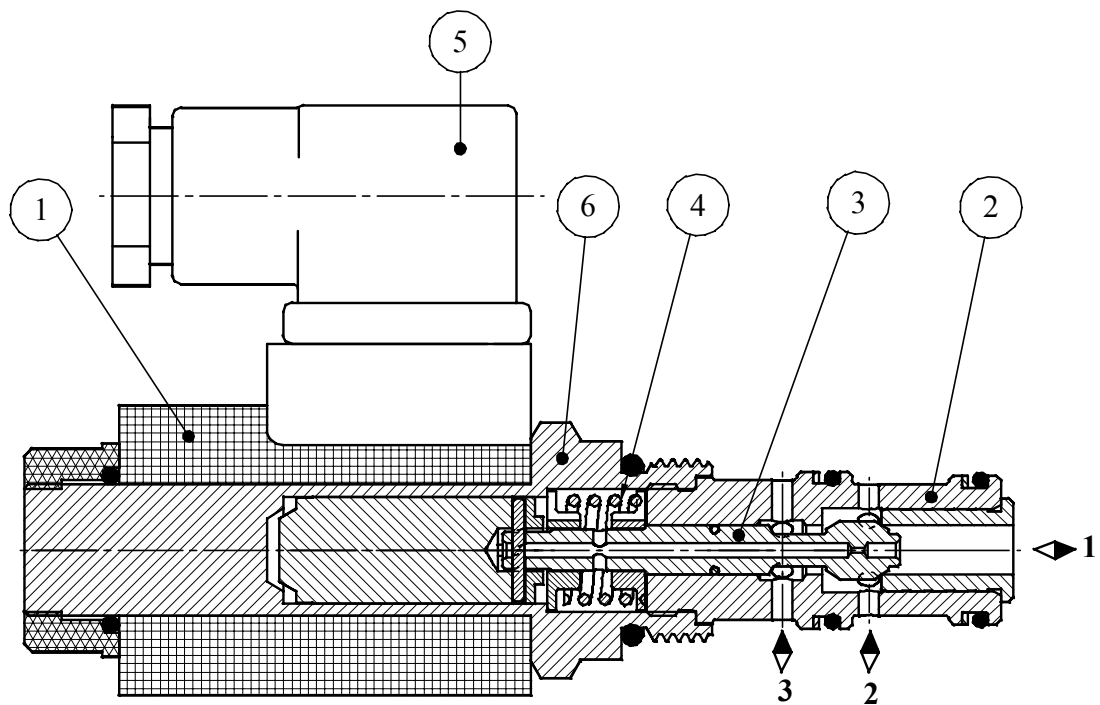
Directional spool valves type 3URHD6 serve to control direction of oil flow.

1. Single acting cylinder control – piston return by a spring
2. Double acting cylinder – two directional valves applied simultaneously
3. Oil flow to manometer or another receiver cut off
4. Control flow supply in the elements which require external control



DESCRIPTION OF OPERATION

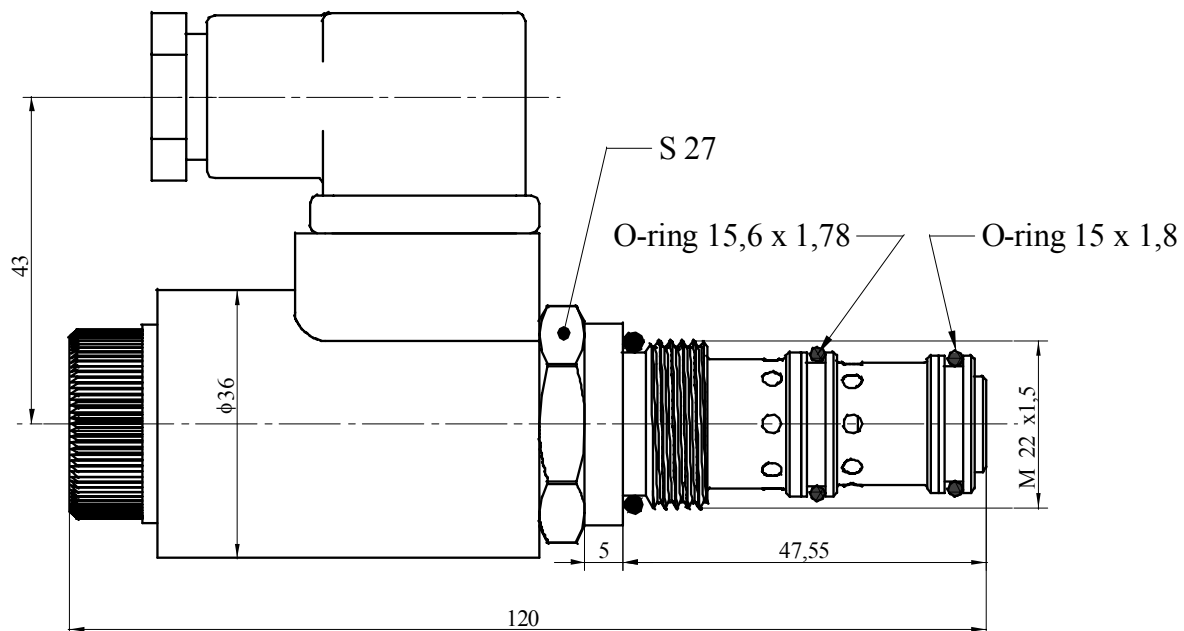
There are control edges in the valve sleeve 2. A movable spool 3 operates in the sleeve. If the spool shifts, it connects or disconnects ports 1, 2, 3. The spool shift is an effect of the current supplied to a coil 1 via a connector 5. The spool return is assured by the spring 4. The coil may be placed optional in relation to the sleeve 6.



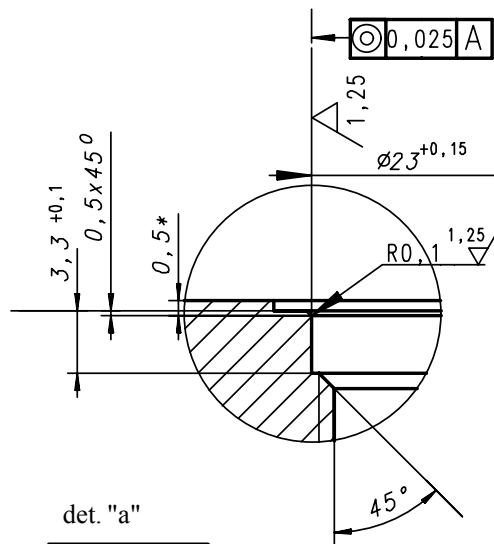
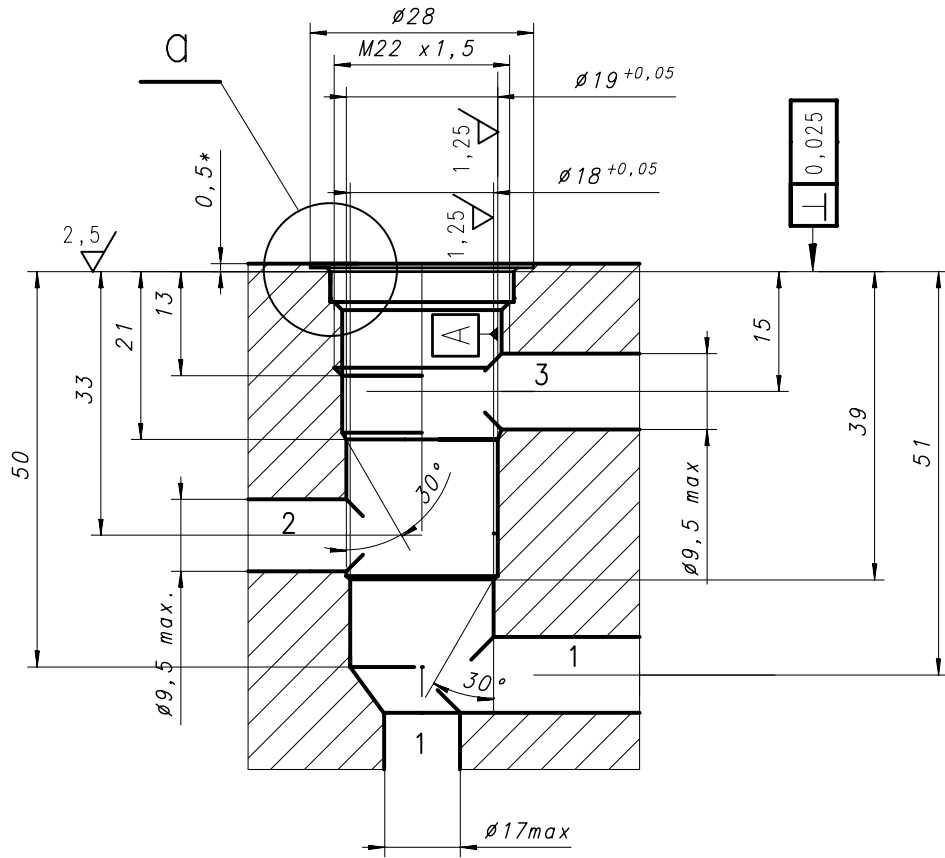
TECHNICAL DATA

Working fluid	Mineral oil
Nominal fluid viscosity	37 mm ² /s at temp 55 °C
Viscosity range	2,8 do 380 mm ² /s
Optimum working temperature range)	313 ÷ 328 K (40°C ÷ 55°C)
Fluid temperature range	243 – 343 K (30°C ÷ 70°C)
Required fluid filtration	16 µm
Recommended fluid filtration	10 µm
Nominal pressure at port 1	21 MPa
Nominal pressure at port 2,3	29 MPa
Power requirement	26 W
Weight	~ 0,45 kg
Security degree	IP 65
Leakage max	2 cm ³ /min

OVERALL DIMENSIONS



DIMENSIONS OF CAVITY

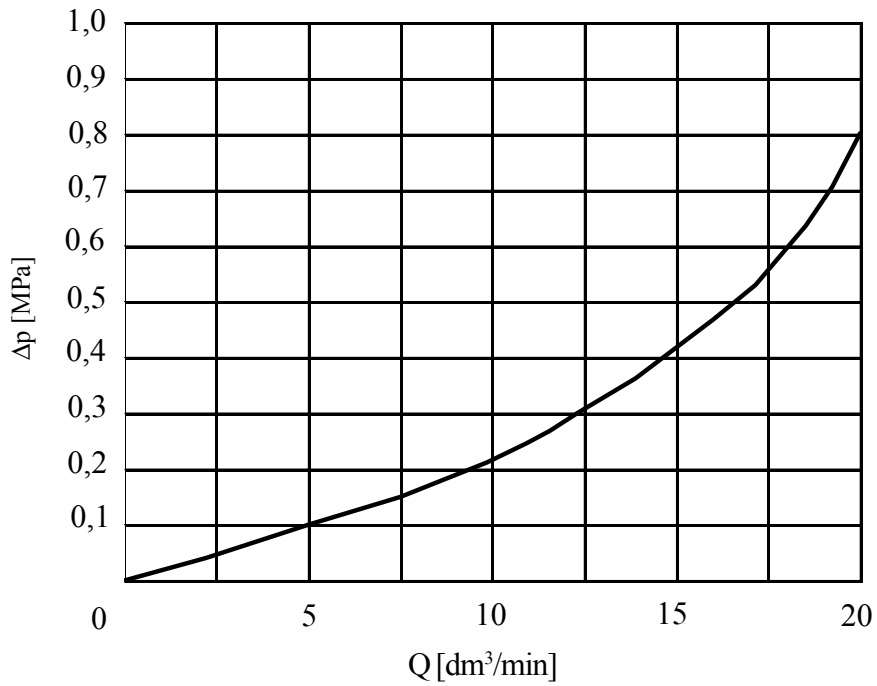


* max recess depth 4,9 mm

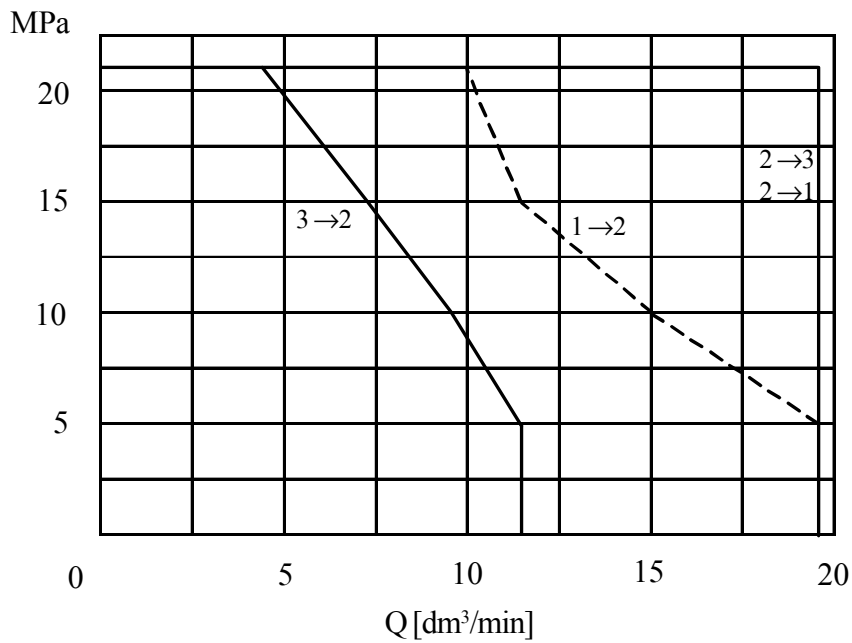
dimensions of cavity
Tightening torque of valve cartridge 30 nM

PERFORMANCE CURVES at $v = 41 \text{ mm}^2/\text{s}$ and a temp. 323 K (50°C)

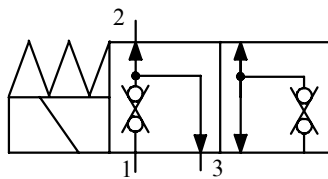
Performance curve



Limit flow rates 3 UREH 6 D5



SYMBOL



3 UREH 6 D5...

HOW TO ORDER

Orders coded in the way showed below should be forwarded to the manufacturer.

3 UREH6	-12 / 2	M1	Z4	*
---------	---------	----	----	---

Control spool type: Spool D5	=D5
Series number 12 = 12 (12 - 19) = installation and connection dimension unchanged	
Number of working position: Two position valve	=2
Kind of cavity cavity M22 x 1,5	= M1
Voltage for solenoid 12V DC = G12 24V DC = G24 110V~50 Hz plug with rectifier = W110 R 220V~50 Hz plug with rectifier = W220 R	
Electrical connection angled plug Z4	=Z4
Sealing oilproof = No destignation viton =V	
Further requirements to be added in text (to agree with manufacturer)	

Coding example:
3 UREH6 D5 -12/2 M1 G24 Z4

PONAR WADOWICE S.A.
ul. Wojska Polskiego 29
34-100 Wadowice
tel. 033/ 823 39 43, 823 30 41
fax 033/ 873 48 80
e-mail: ponar@ponar-wadowice.pl

